



I Application

A tubular sight-glass is made of a stainless steel frame and a glass of the same section as the pipe. It allows an easy inspection of the product flow in the food-processing, cosmetics, pharmaceutical and fine chemicals industries.

I Design and features

Attachment by self-locking nuts.

Full bore design.

360° viewing angle.

Vertical or horizontal assembly.

Interchangeable side parts.

Connections: Weld DIN 11850
Weld OD ASME BPE
Clamp DIN 32676
Clamp OD ASME BPE
Male DIN 11851

I Materials

Side AISI 316L (1.4404)

Stud AISI 304L (1.4301)

Glass Borosilicate according to ISO 3585 and ASTM E438 Type I, Class A

Gaskets EPDM in compliance with
FDA 21CFR 177.2600 and Regulation (EC) No 1935/2004

Surface finish Sanitary polish, $Ra \leq 0,8 \mu m$

Glass protection



I Options

Gaskets: VMQ or FPM in compliance with

FDA 21CFR 177.2600 and Regulation (EC) No 1935/2004.

Connections: DIN, FIL-IDF, BS-RJT, SMS, Clamp, Flanges, Macon, etc.

Glass protection.



INOXPA®
SOURCE OF SOLUTIONS

Tel: 866-777-6060

Fax: 866-777-6383

Springer Pumps, LLC

Website: www.springerpumps.com

Int'l: +001 267 404 2910

I Technical specifications

Available sizes	DN 25 - DN 150	DN 1" - DN 6"
Max. working temperature		
EPDM gasket	-10°C to +120°C	14°F to 248°F
	+140°C (SIP, max. 30 min)	284°F

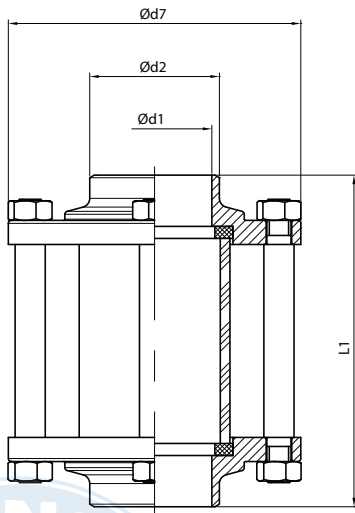
DN	25 - 1"	32	40 - 1½"	50 - 2"	65 - 2½"	80 - 3"	100 - 4"	125	150 - 6"
Sight glass with borosilicate glass	10	10	10	8	7	6	5	4	3

(Temperatures and pressures are approximate and depend on the product and gasket type.)

I Dimensions

Weld connections, metric pipe according to DIN 11850

DN	ød1	ød2	Ød7	L1	Weight [kg]
25	26	31	87	90	0,9
32	32	37	92	102	1
40	38	43	97	110	1,1
50	50	55	110	125	1,4
65	66	72	127	142	1,8
80	81	87	142	142	2,2
100	100	106	162	180	2,8
125	125	131	190	190	5,3
150	150	157	240	218	7,7

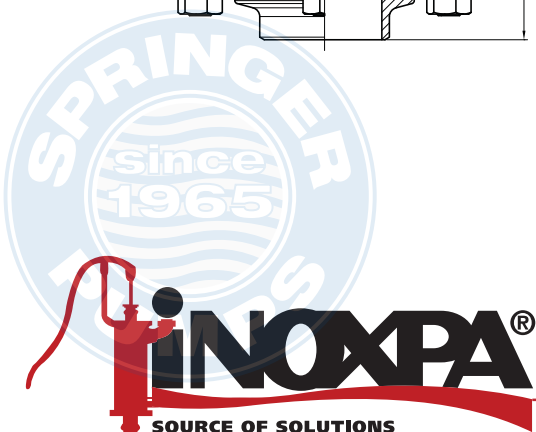


(Dimensions in mm)

Weld connections, OD pipe according to ASME BPE

DN	ød1	ød2	Ød7	L1	Weight [kg]
1"	22,1	28	87	90	1
1½"	34,8	40	97	110	1,2
2"	47,5	53	110	125	1,5
2½"	60,2	66,3	118	142	1,7
3"	72,9	78,9	131	142	1,9
4"	97,4	106	162	180	3,1
6"	146,8	154	240	218	7,9

(Dimensions in mm)



The information is for guidance only. We reserve the right to modify any material or feature without notice in advance. Photos are not binding. For further information, please, consult our web site. www.inoxpa.com

Tel: 866-777-6060
Fax: 866-777-6383

Springer Pumps, LLC



Website: www.springerpumps.com
Int'l: +001 267 404 2910